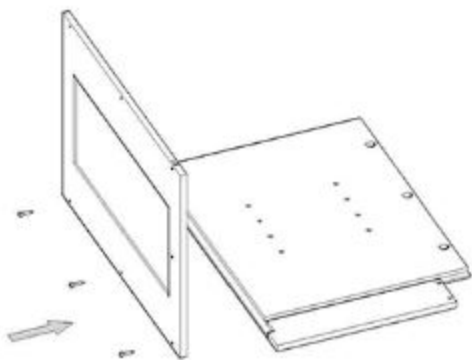
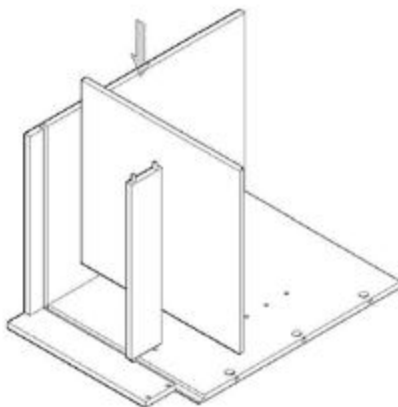


B24, B27, B30, B33, B36 Base Cabinets

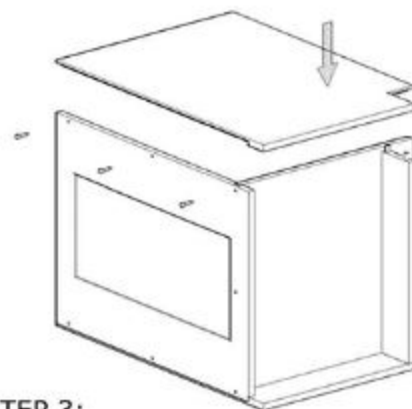
1 of 2



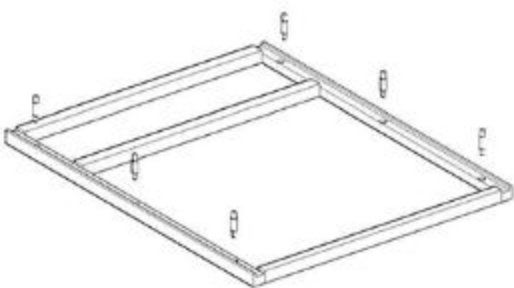
STEP 1:
Connect the Side Panel and Backboard, then fasteners into the hole on the backboard.



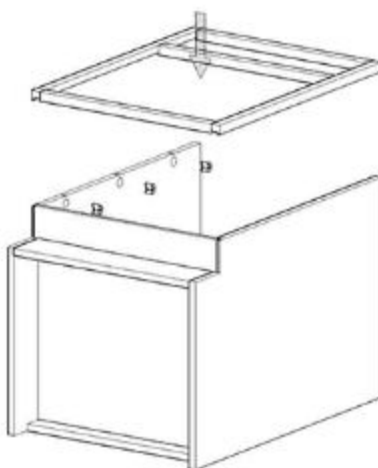
STEP 2:
Insert the Bottom Panel and the Top Panel into the grooves.



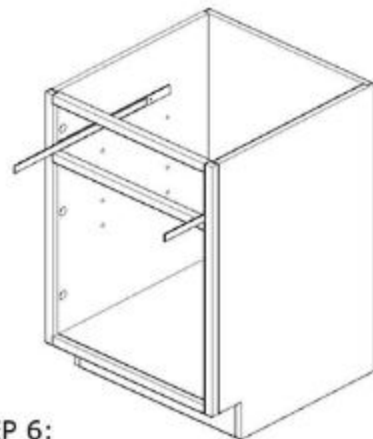
STEP 3:
Position the another Side Panel into the grooves, then fasteners into the hole on the backboard.



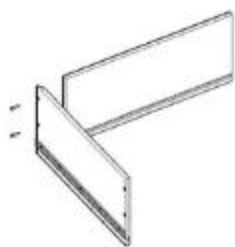
STEP 4:
Screw the dowels into the Faceframe.



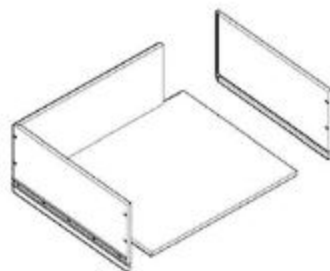
STEP 5:
Position the Faceframe, then use screwdriver to lock the Casings.



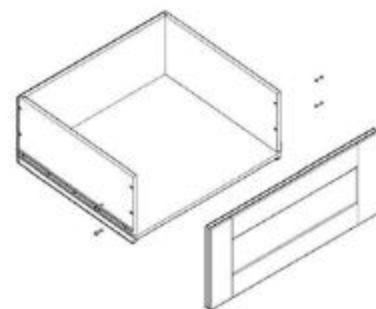
STEP 6:
Slide the Drawer Slide from the Faceframe until the drawer slide is aligned with the faceframe, then fasten into pre-drilled holes.



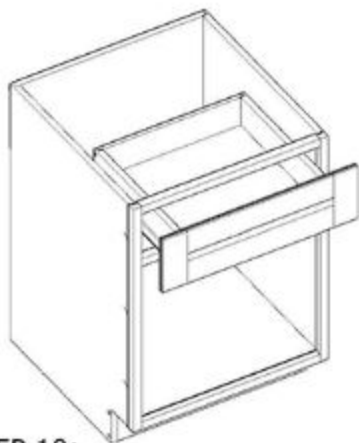
STEP 7:
Fasten the Drawer Side Panel
and Drawer BACK Panel.



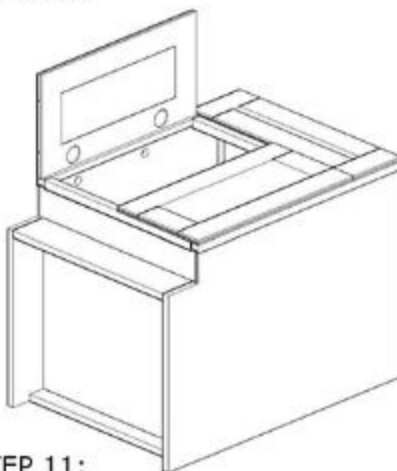
STEP 8:
Insert bottom and another
Drawer Side Panel into the
grooves.



STEP 9:
Position the Front into the
grooves, then screw the Side
Panel and the Front.



STEP 10:
Slide the Drawer into the track.



STEP 11:
Fasten the hinges into the doors,
then screw them on the cabinet.



STEP 12:
Screw the Corner Bracket.