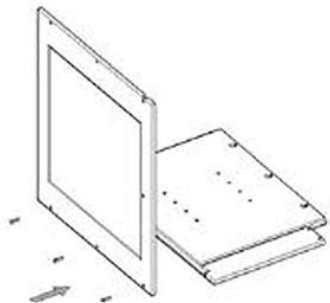


BLIND CORNER CABINETS

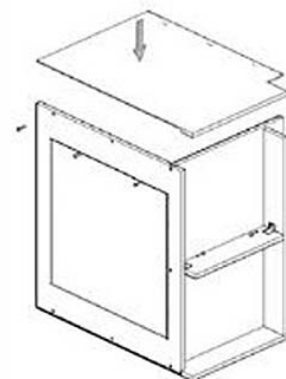
1 of 1



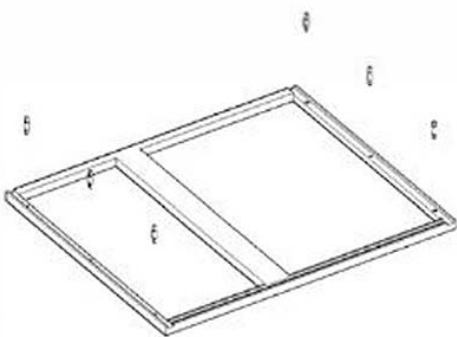
STEP 1:
Connect the Side Panel and Backboard, then fasteners into the hole on the backboard.



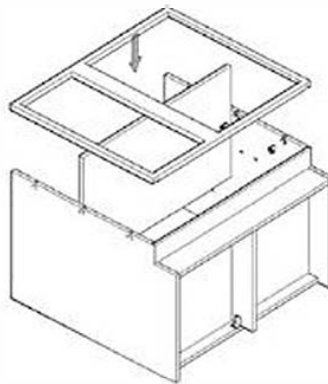
STEP 2:
Insert the Bottom Panel and the Top Panel into the grooves.



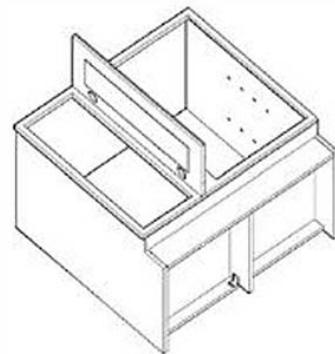
STEP 3:
Position the another Side Panel into the grooves, then fasteners into the hole on the backboard.



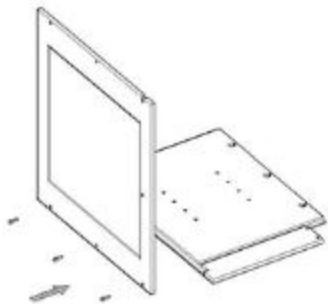
STEP 4:
Screw the dowels into the Faceframe.



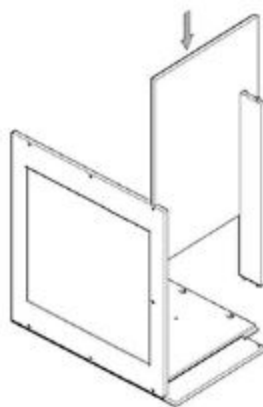
STEP 5:
Position Shelf and the Faceframe, then use Screwdriver to lock the Casings.



STEP 6:
Fasten the hinges into the doors, then screw them on the cabinet.



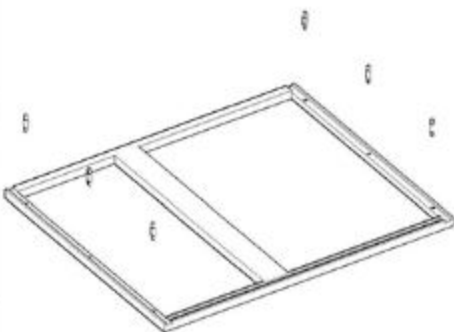
STEP 1:
Connect the Side Panel and Backboard, then fasteners into the hole on the backboard.



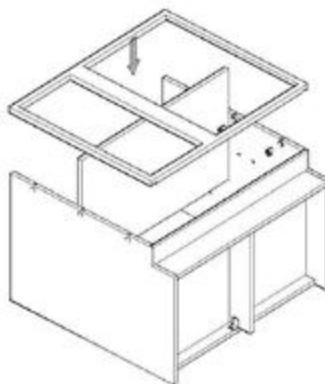
STEP 2:
Insert the Bottom Panel and the Top Panel into the grooves.



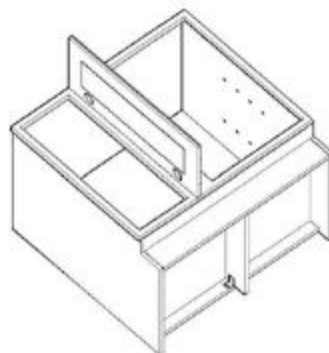
STEP 3:
Position the another Side Panel into the grooves, then fasteners into the hole on the backboard.



STEP 4:
Screw the dowels into the Faceframe.



STEP 5:
Position Shelf and the Faceframe, then use Screwdriver to lock the Casings.



STEP 6:
Fasten the hinges into the doors, then screw them on the cabinet.