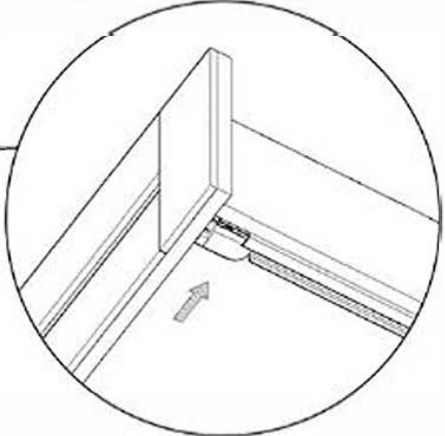
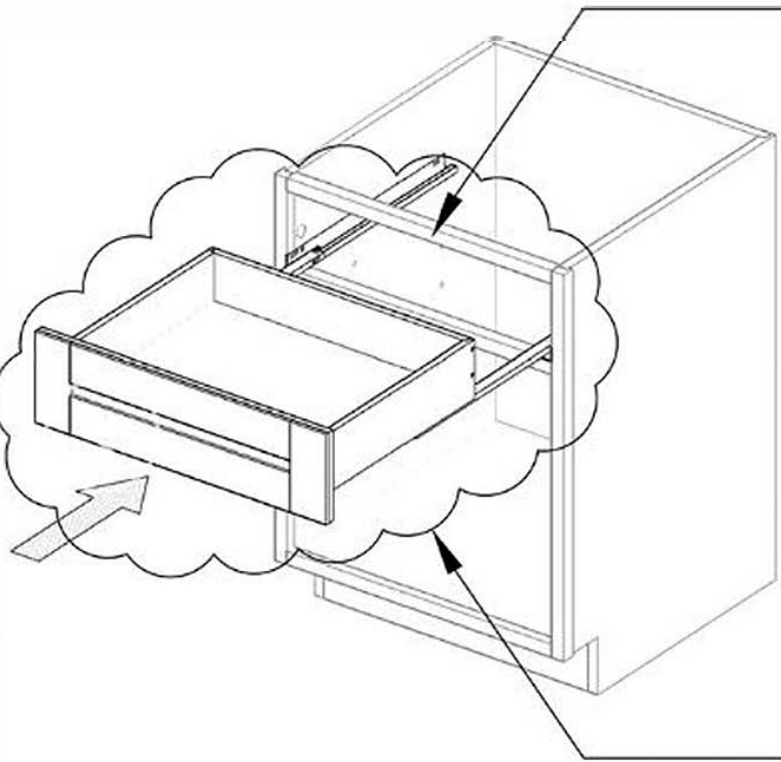


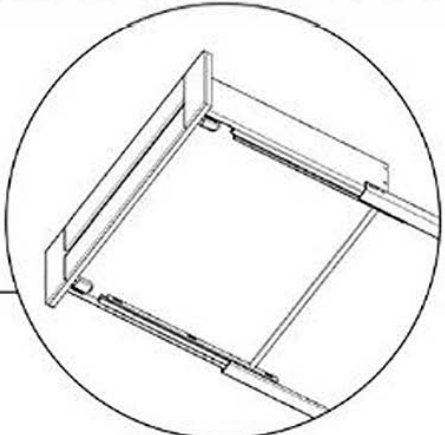
SELF-CLOSING DRAWER

Take-out the Drawer



Pressure the Locking device bottom to disconnect the drawer and the slides.

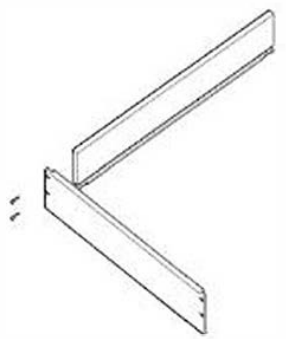
Install the Drawer



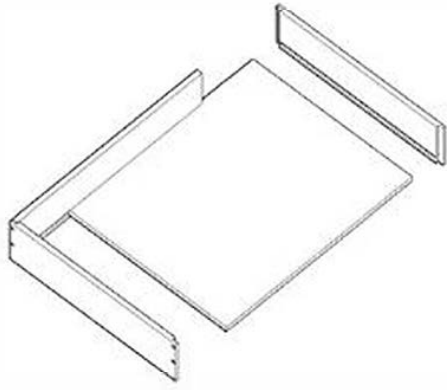
Join the Drawer and the Slides

STEP 6:
Locate the Drawer on the Slides, then push the Drawer into cabinets until the Locking Devices connecting with the Slides.

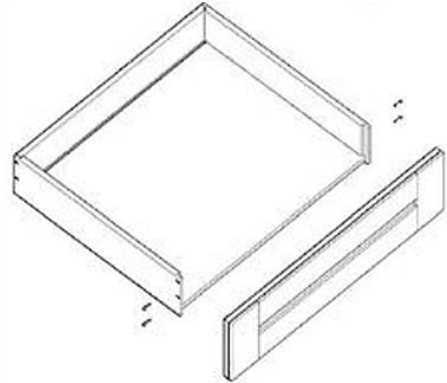
SELF-CLOSING DRAWER



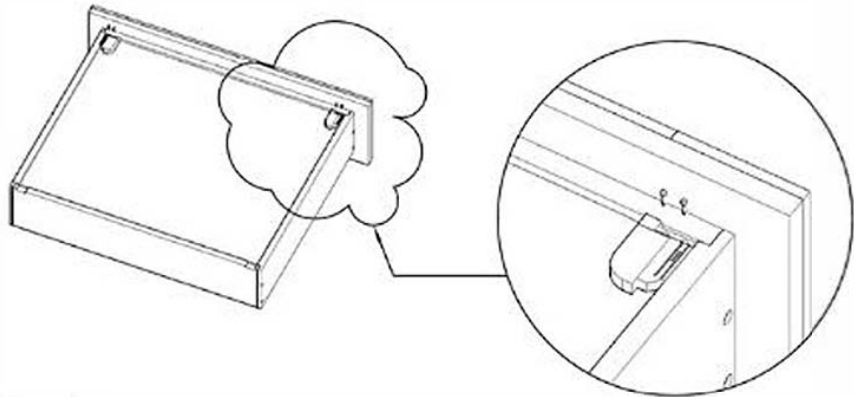
STEP 1:
Fasten the Drawer Side Panel
and Drawer Back Panel.



STEP 2:
Insert Bottom and another
Drawer Side Panel Into the
grooves.



STEP 3:
Position the Front into the
grooves, then screw the Side
Panel and the Front.



STEP 4:
Screw the Locking device on the
bottom.



STEP 5:
Slide the Drawer Slide from the
Faceframe until the drawer slide is
aligned with the faceframe, then
fasten into pre-drilled holes.